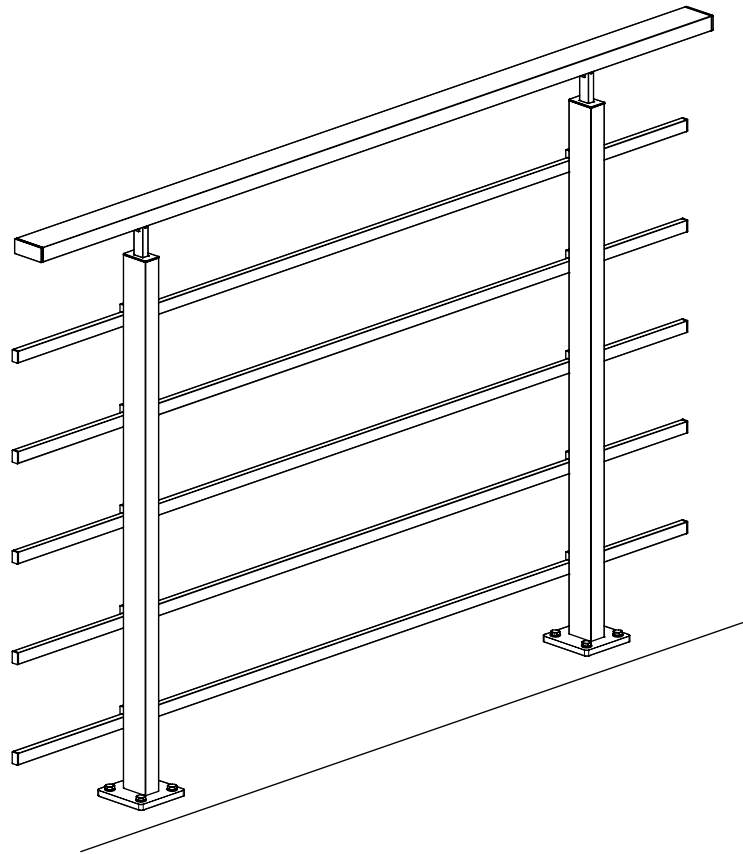


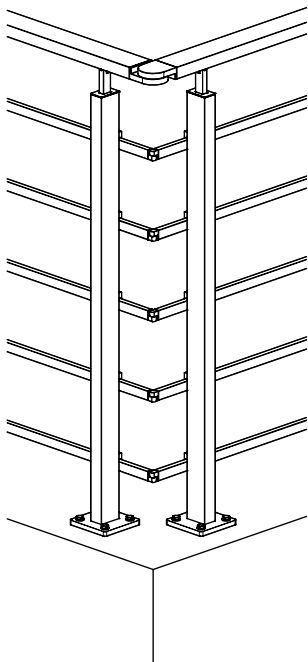
# EA15F

1,5 m



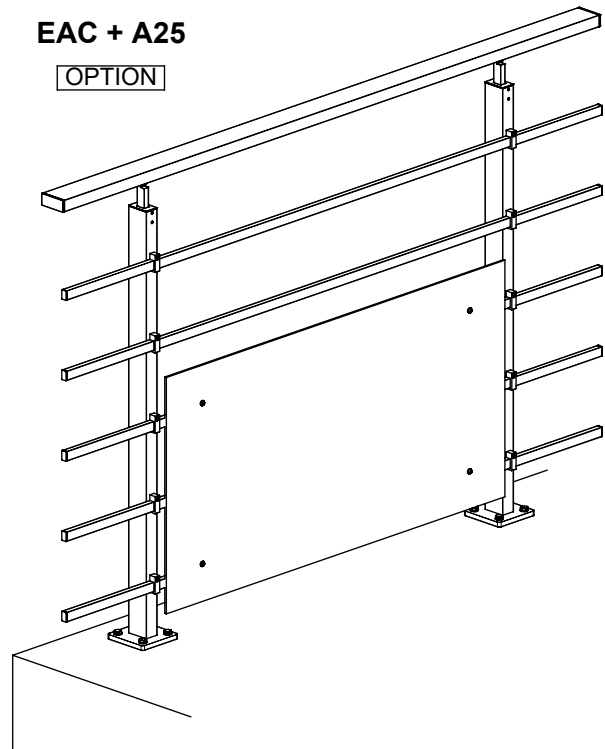
## EAC

OPTION

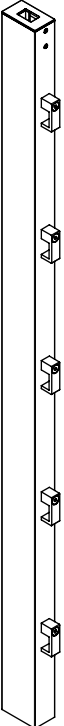
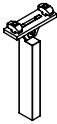
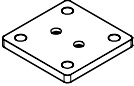

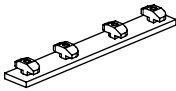
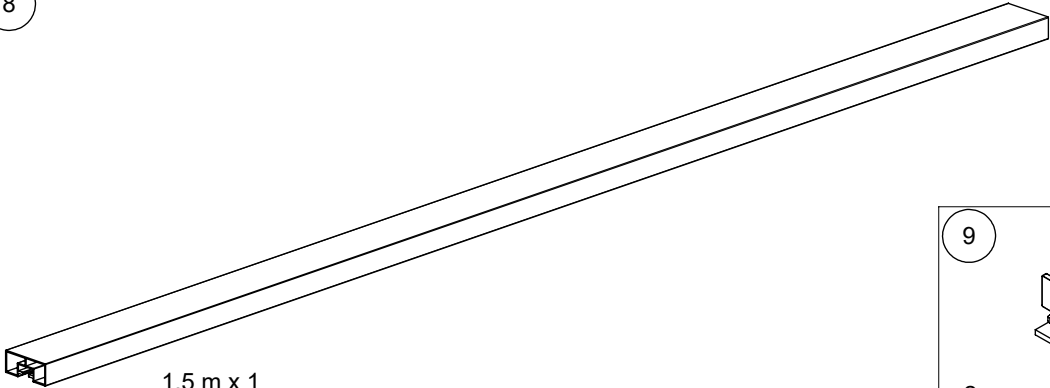
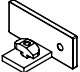
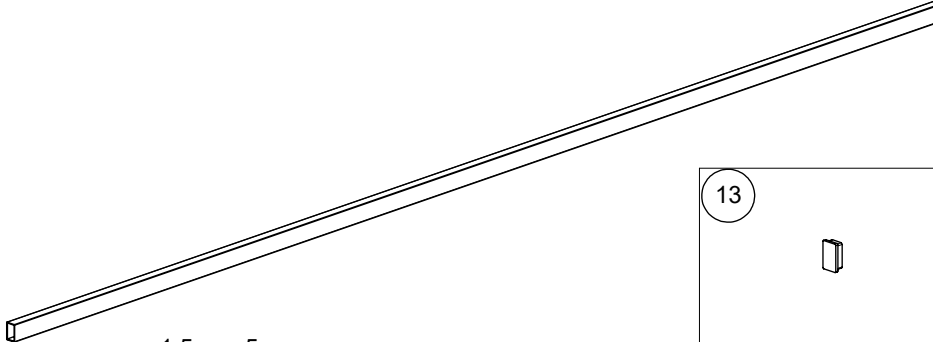
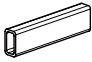




## EAC + A25

OPTION

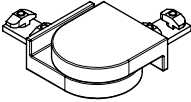
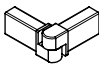





**EA15F**

|   |  |   |   |  |   |
|---|--|---|---|--|---|
| <p>1</p>  | <p>2</p>  <p>x 2<br/>K2-1086518</p> | <p>3</p>  <p>x 2<br/>K1-1086511</p>          | <p>4</p>  <p>x 4<br/>K3-02155<br/>M10 x 100</p> | <p>7</p>  <p>x 1<br/>K2-1085040</p> |   |
| <p>x 2<br/>K2-1086501</p>   |  | <p>8</p>  <p>1,5 m x 1<br/>K1-1086541</p>   |   |  | <p>9</p>  <p>x 2<br/>K2-1086548</p>  |
| <p>x 2<br/>K2-1086501</p>   |  | <p>11</p>  <p>1,5 m x 5<br/>K1-1086551</p> |   |  | <p>12</p>  <p>x 5<br/>K1-1086559</p> |
| <p>x 2<br/>K2-1086501</p>   |  | <p>13</p>  <p>x 10<br/>K1-1086558</p>    | <p>14</p>  <p>x 1<br/>K3-90001</p>           |  |   |

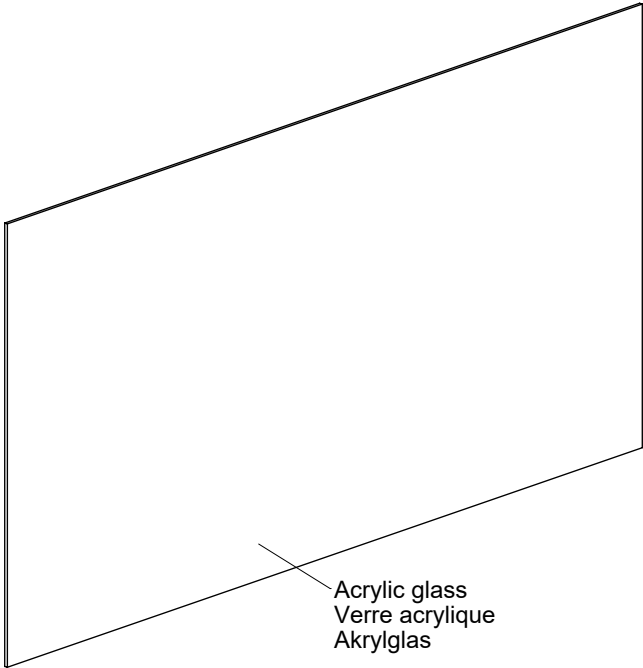
**EAC**

OPTION

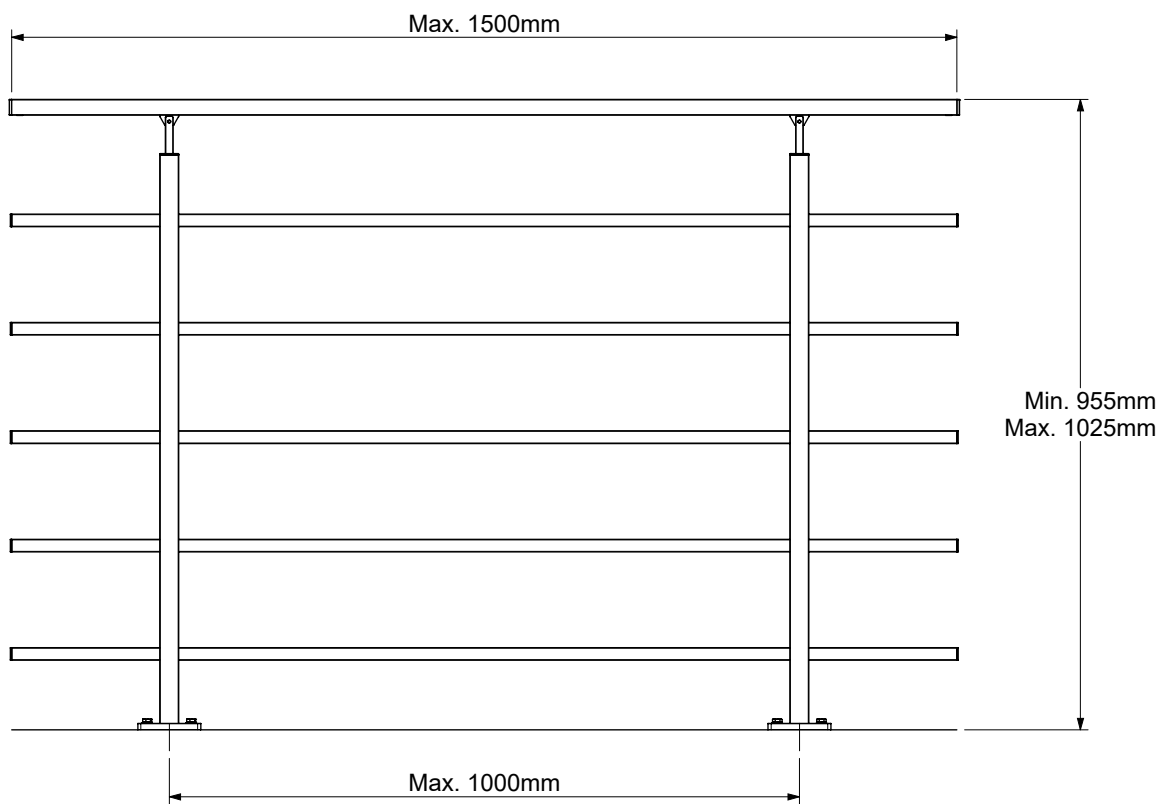
|   |  |   |
|---|--|---|
| <p>20</p>  <p>x 1<br/>K2-1086560</p> | <p>21</p>  <p>x 5<br/>K2-1086562</p>              |   |
| <p>30</p>  <p>x 4<br/>K1-1086598</p> | <p>31</p>  <p>∅ 6,2mm</p> <p>x 8<br/>K1-36047</p> | <p>32</p>  <p>x 4<br/>K3-02176<br/>M6 x 16</p> |

**EAC + A25**

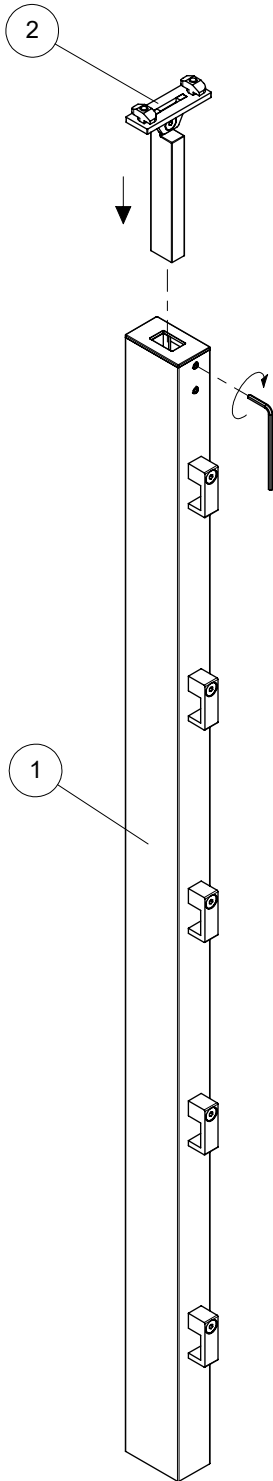
OPTION



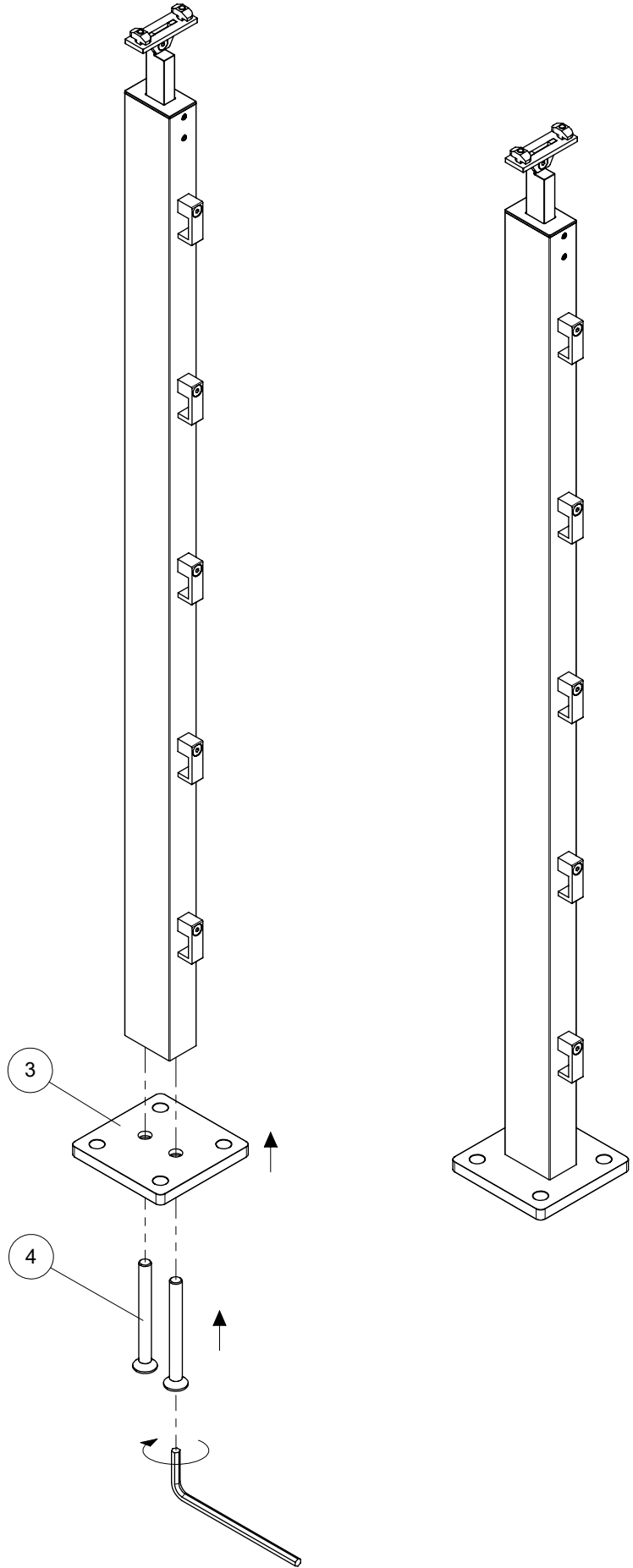
Acrylic glass  
Verre acrylique  
Akrylglas

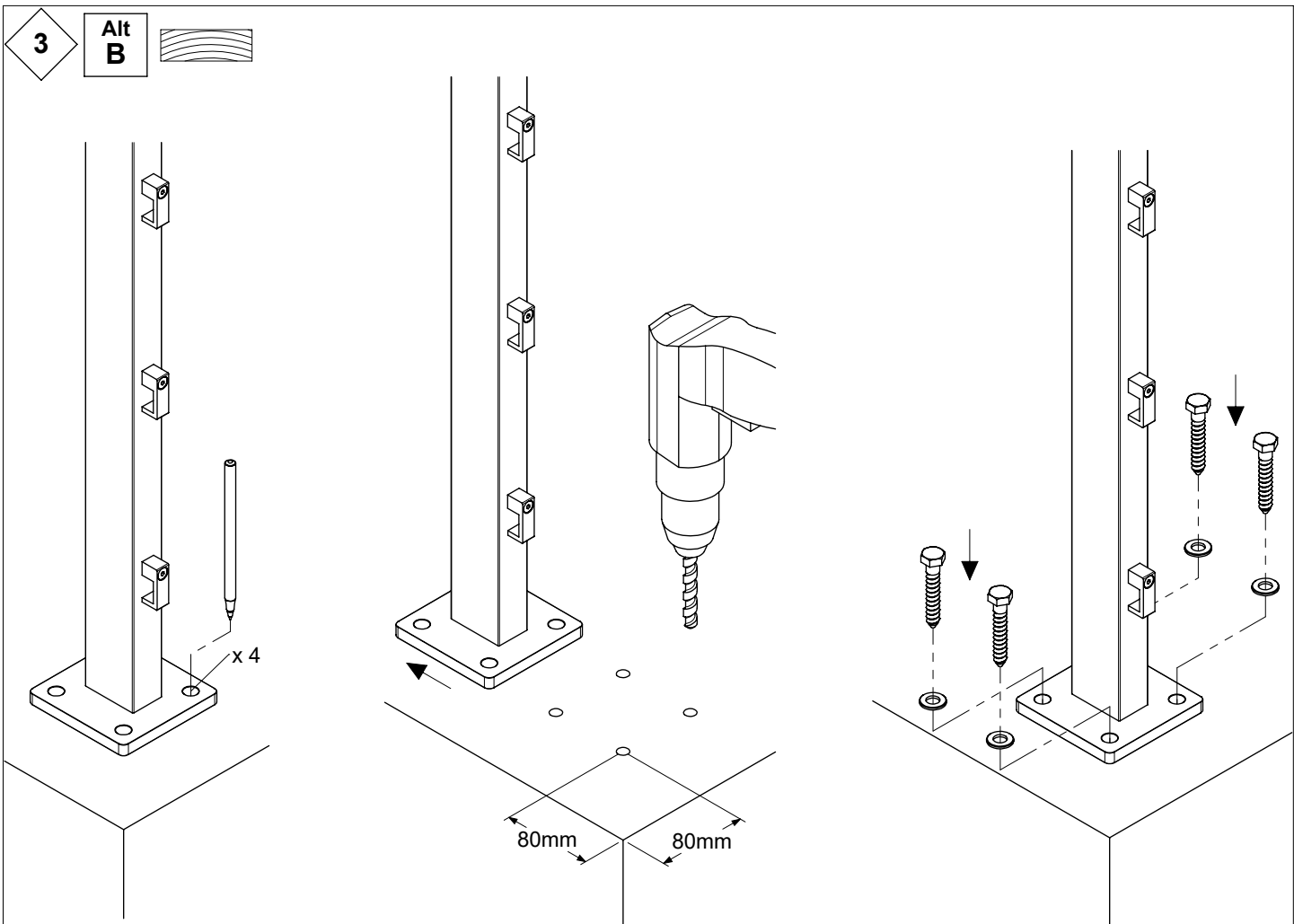
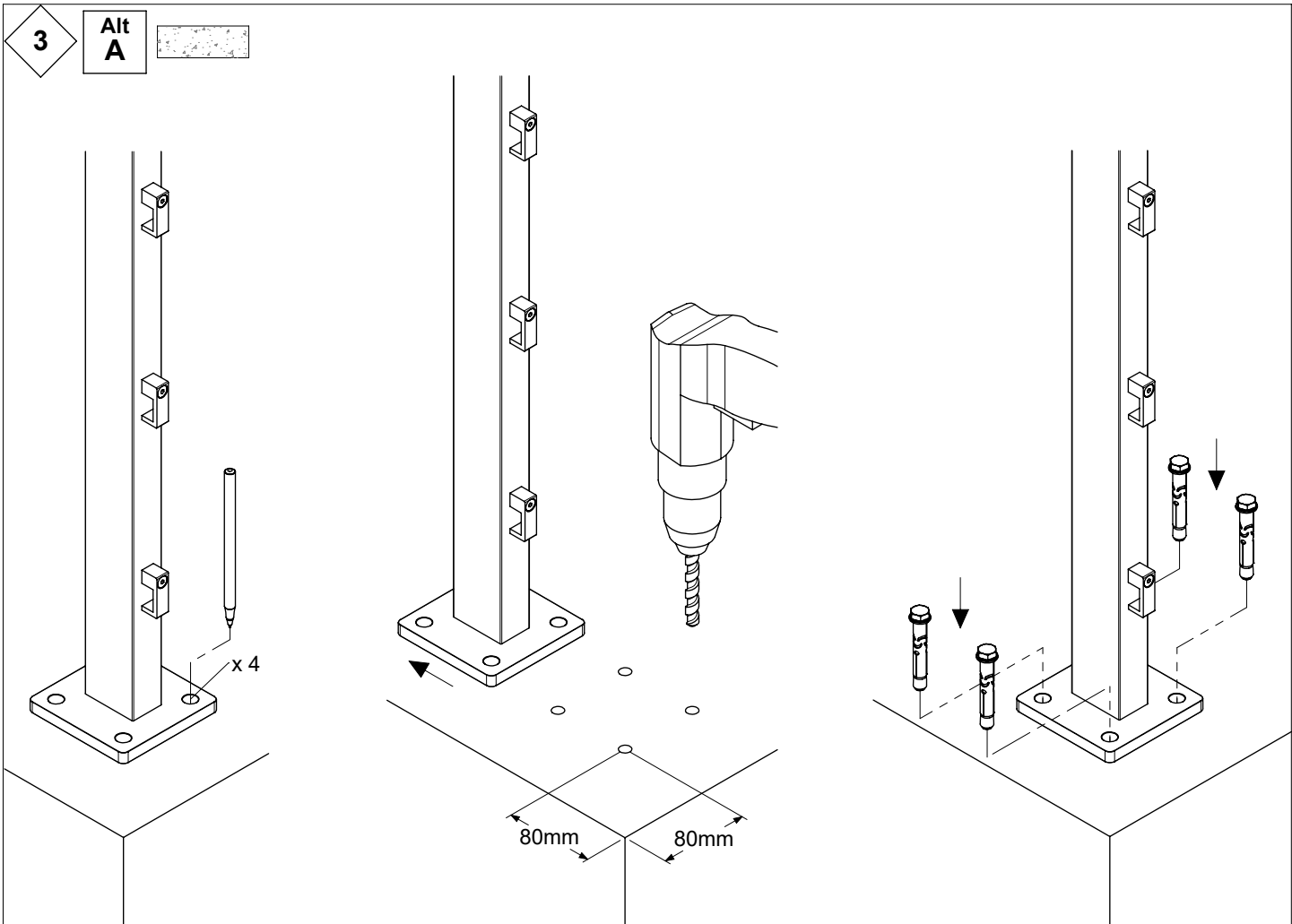


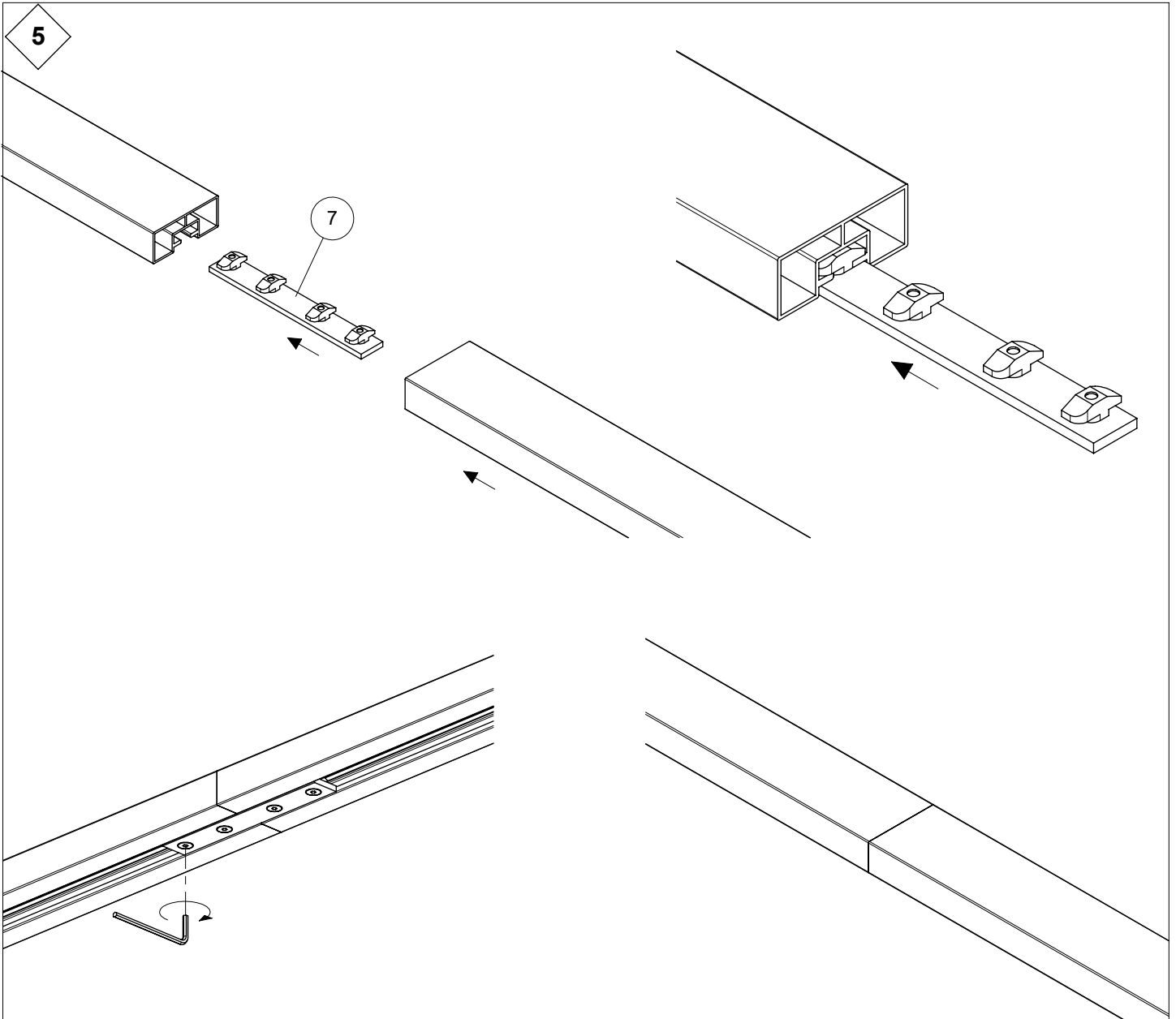
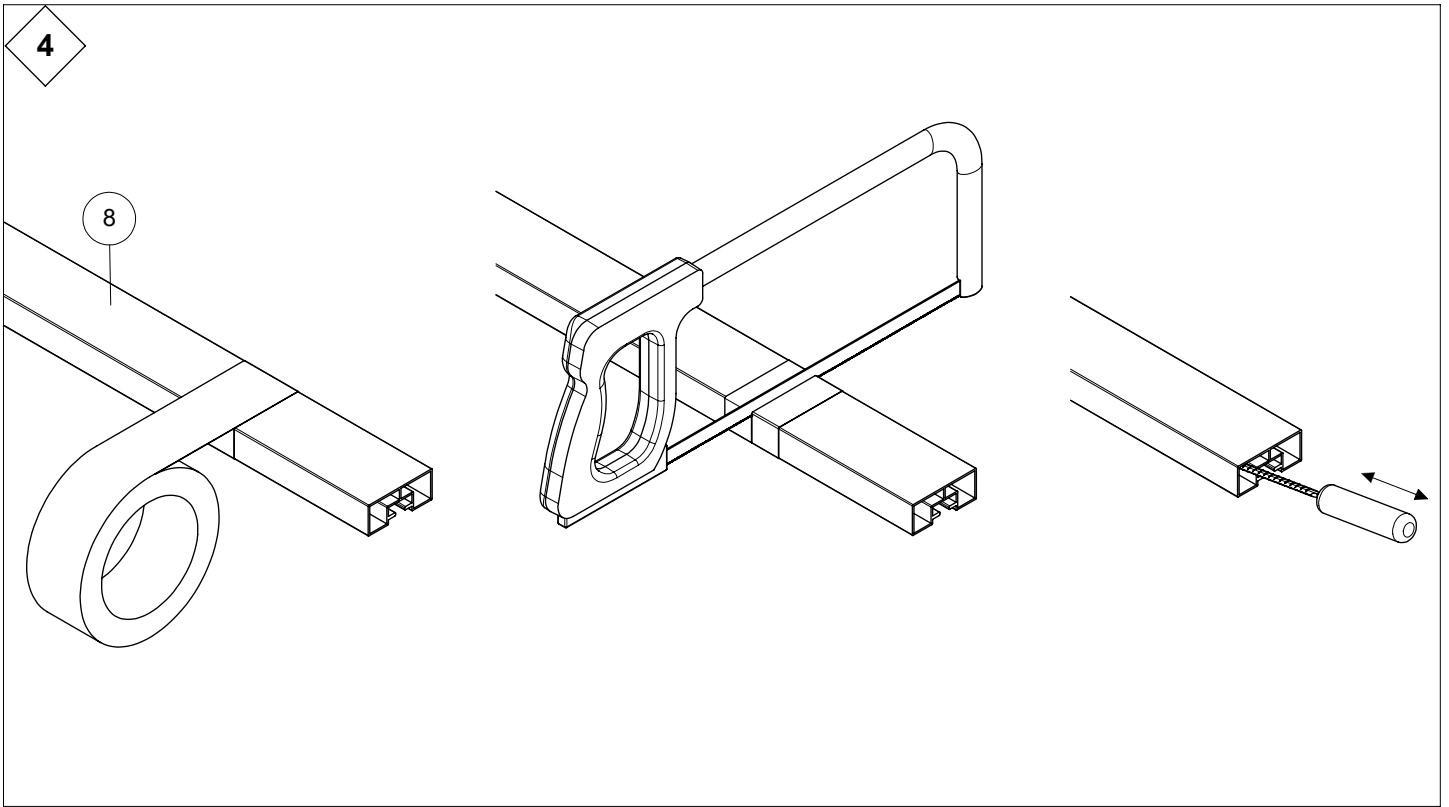
1



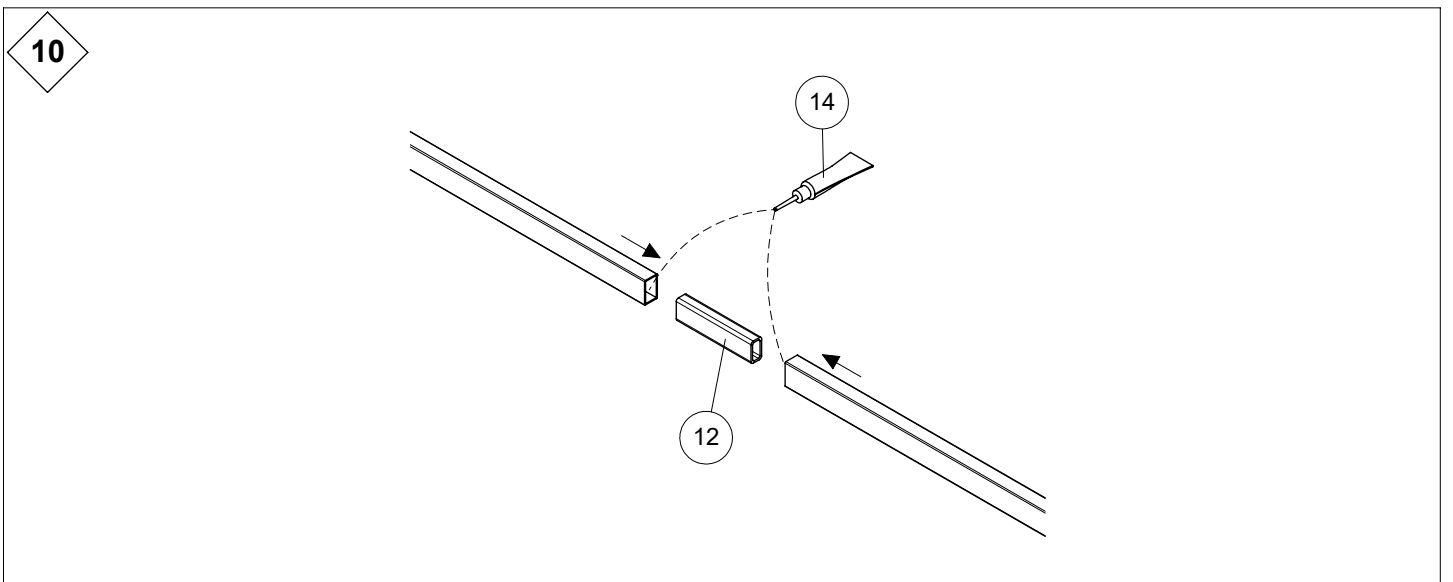
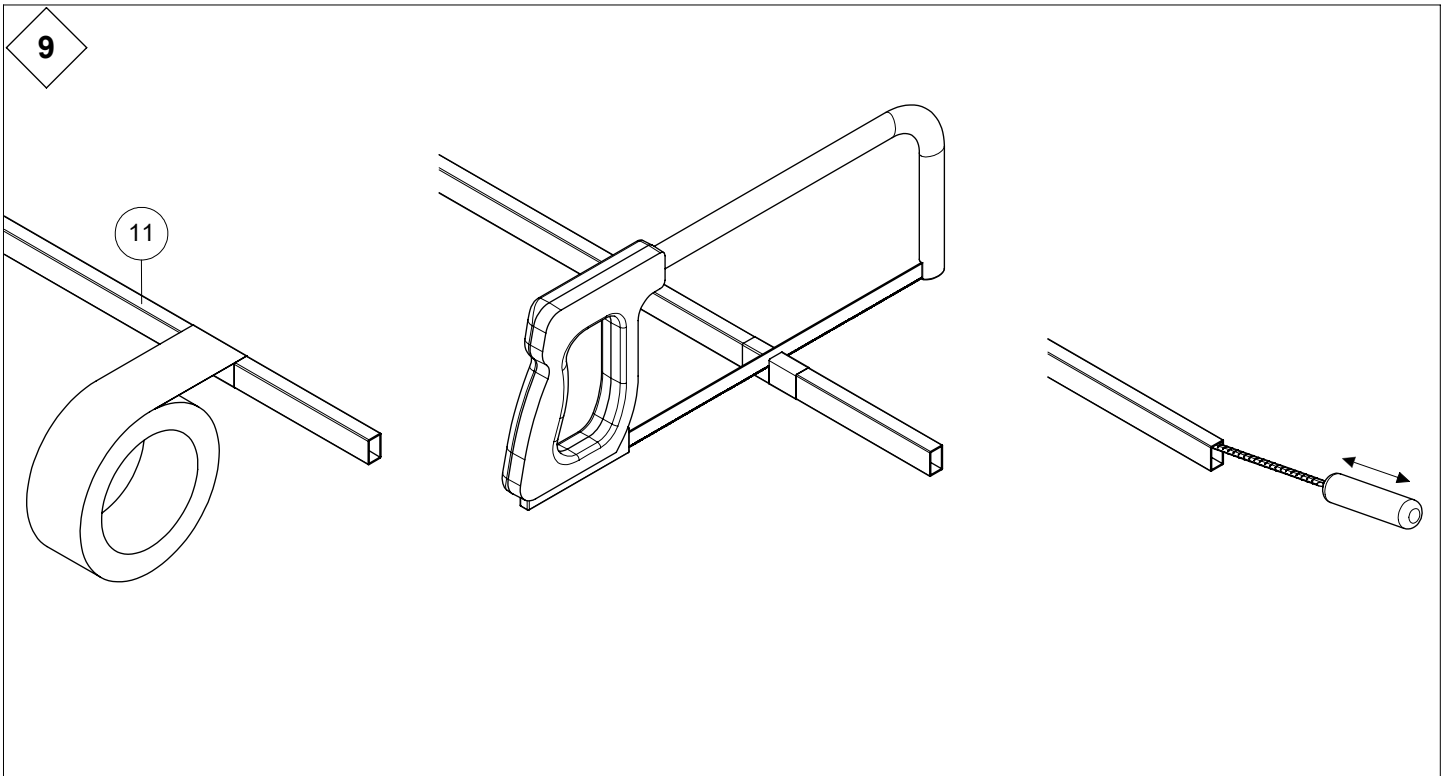
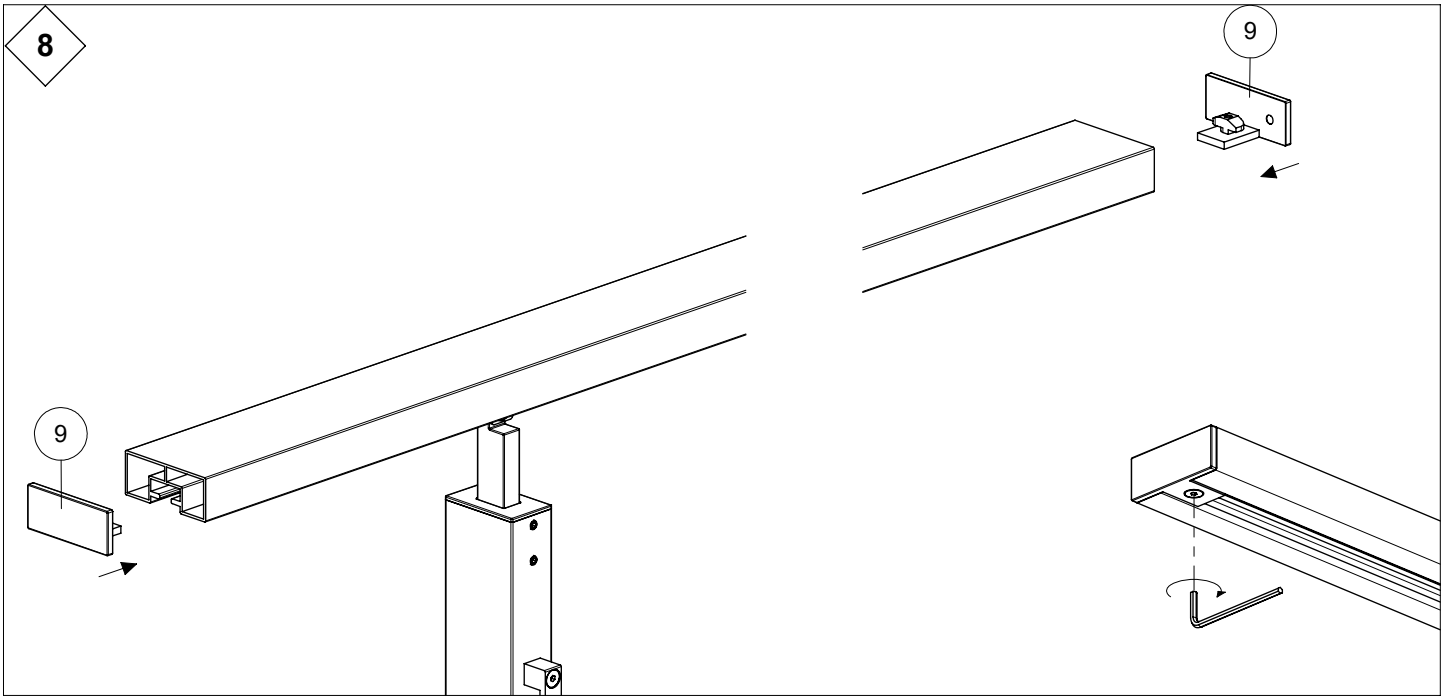
2



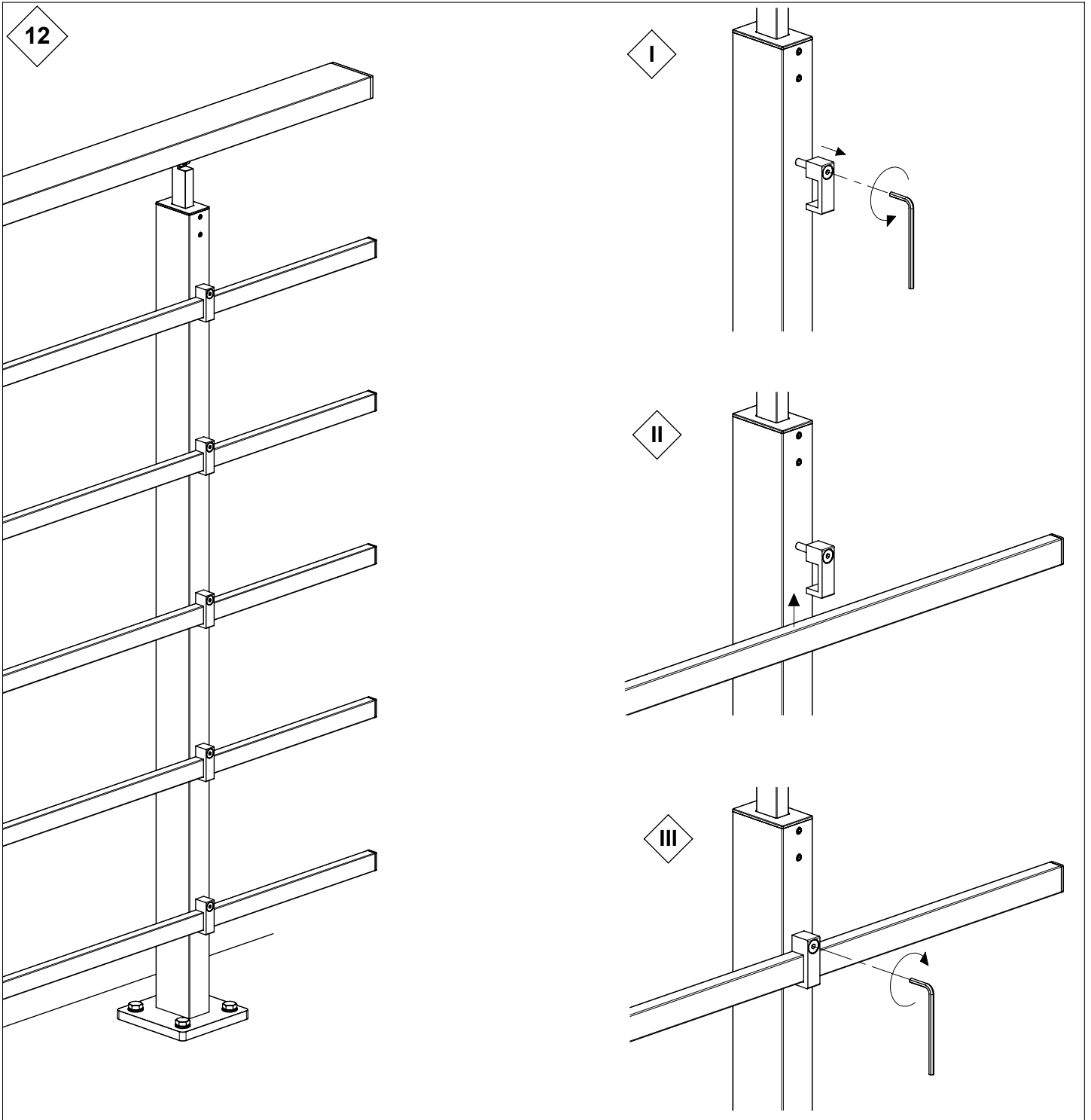
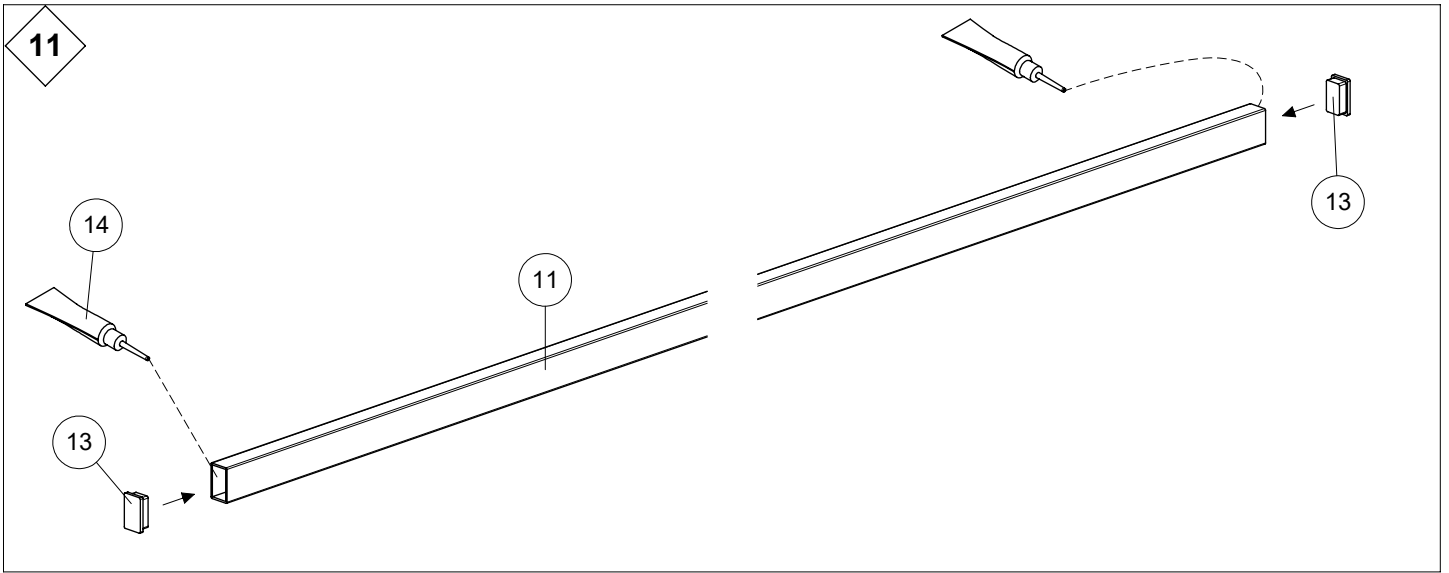




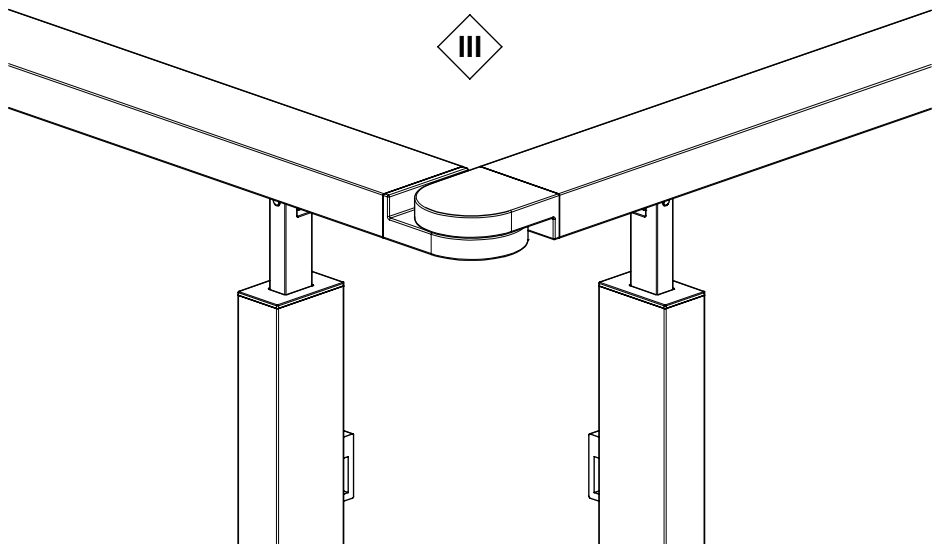
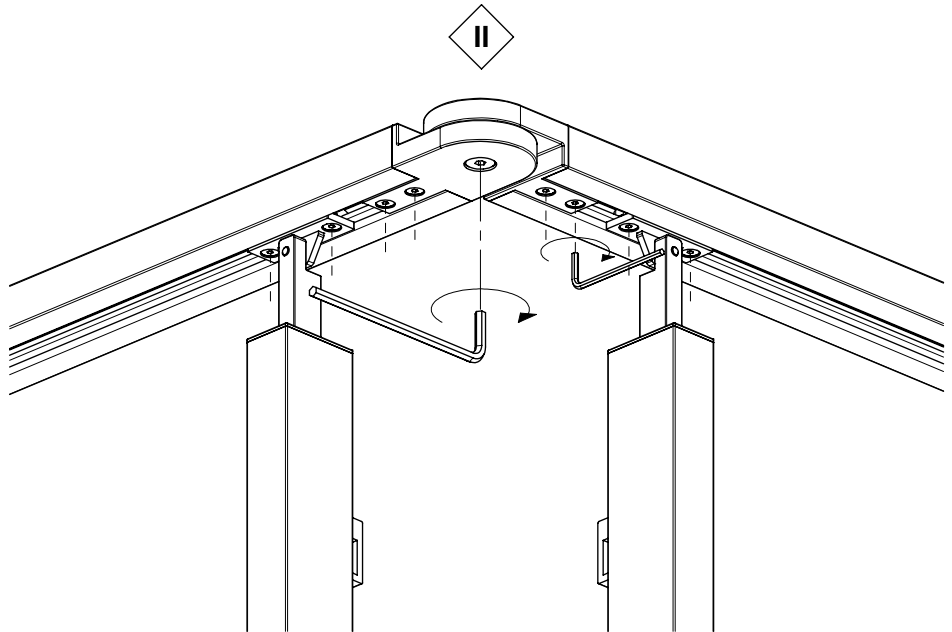
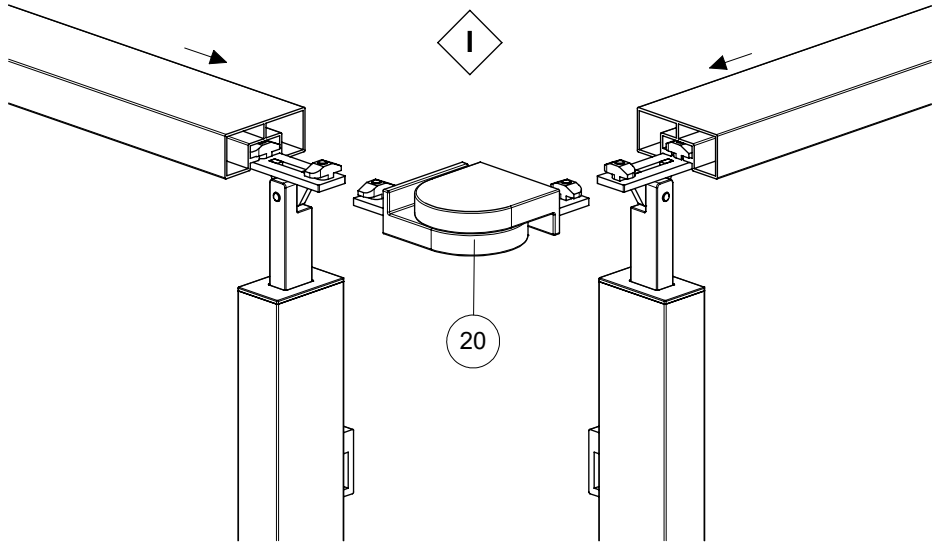
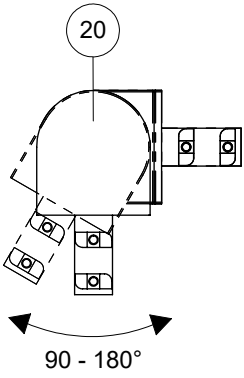




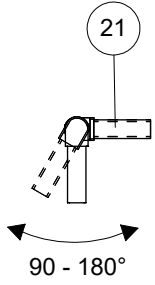




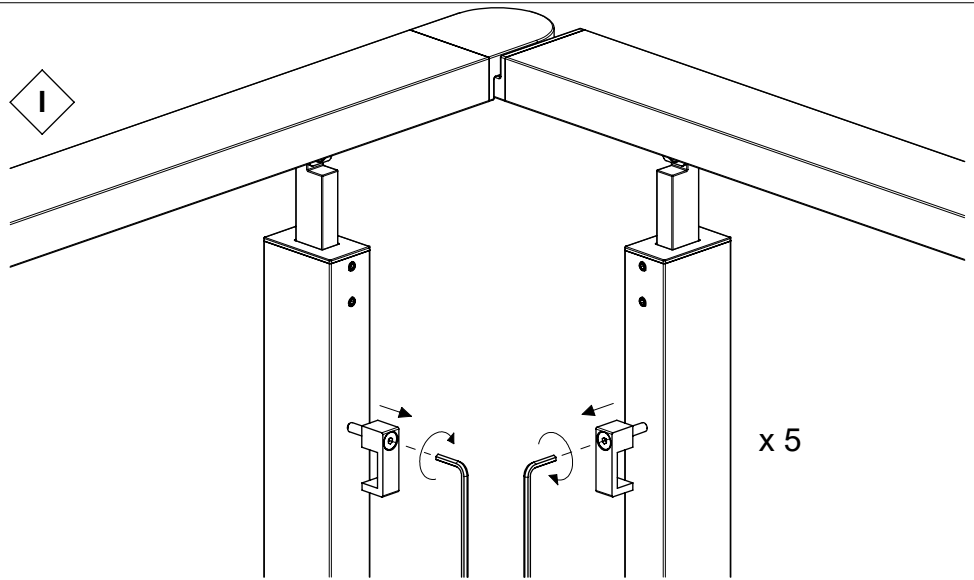
**13** OPTION



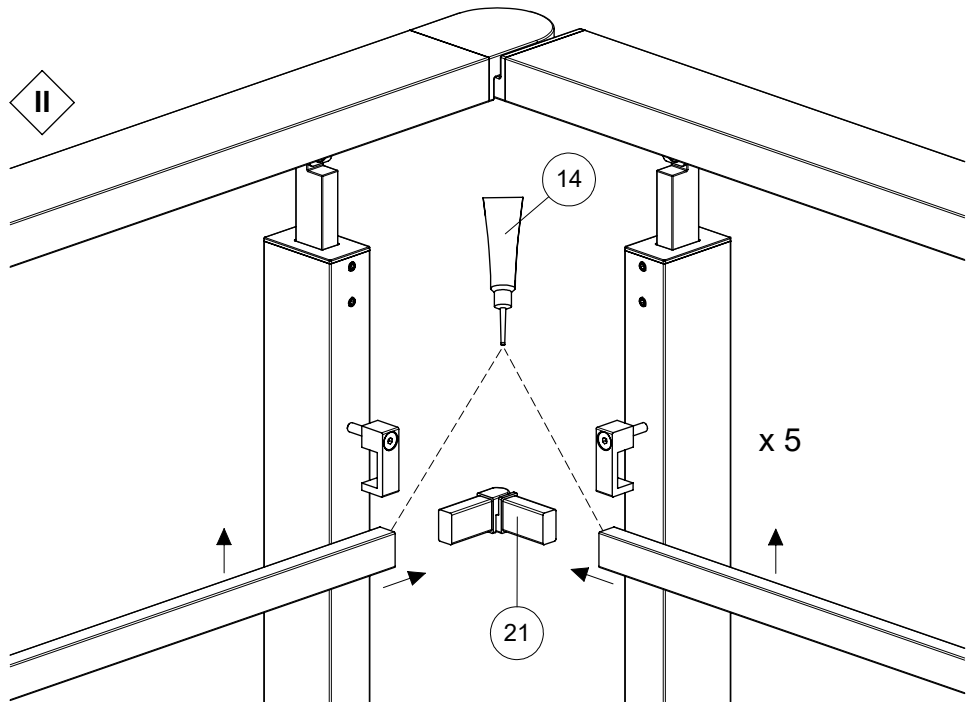
**14** OPTION



I



II



III

