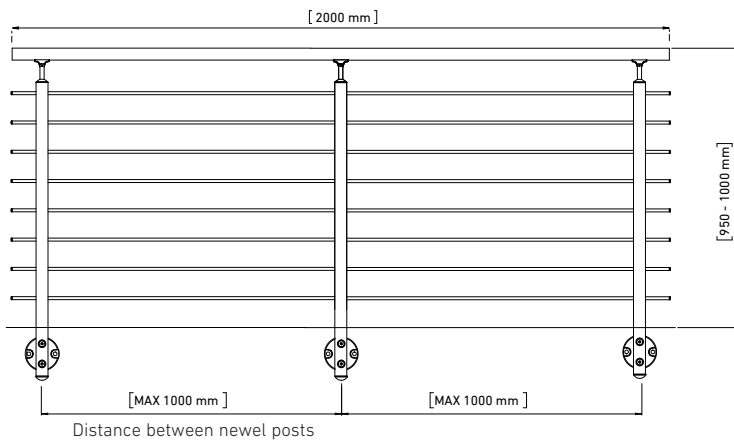
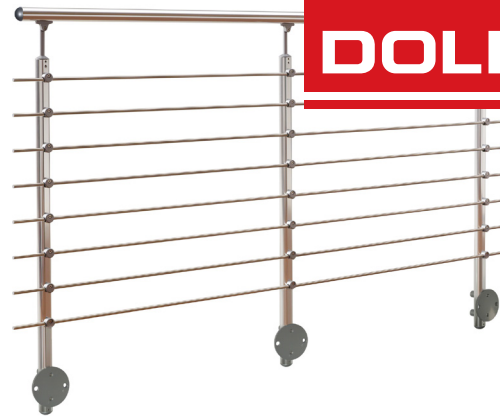


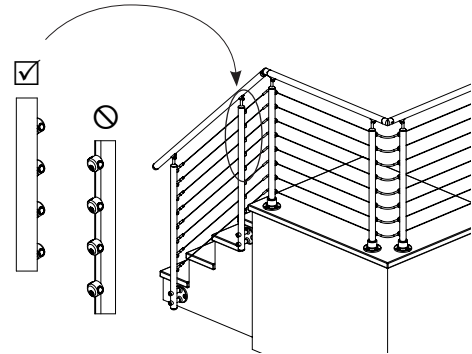
MOUNTING INSTRUCTION

PROVA ALU 8 & 10

WALL MOUNTED



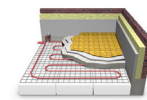
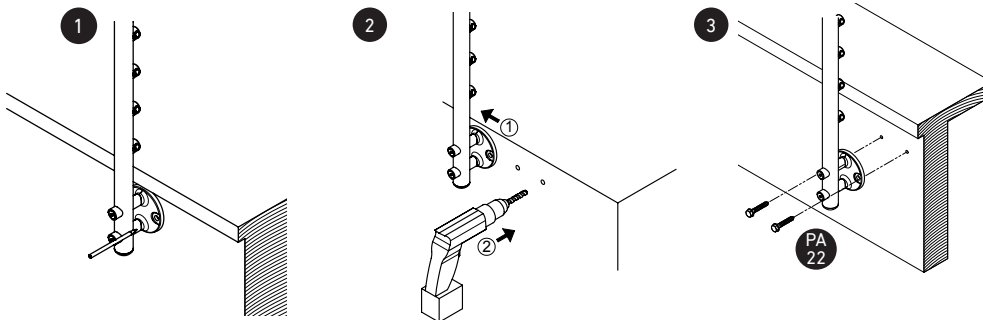
Tube are installed facing inward towards steps or flooring



Mount the post PA2 in the wall - wood

PA22 Hexagon head screws for wood surface. PA22 screws, washers and cap for wood surfaces.

Mark drill holes using post before drilling

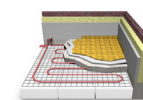
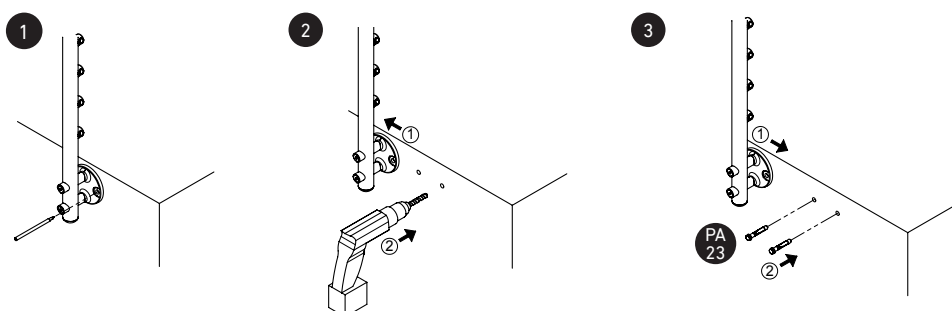


Be caution of heatfloor

Mount the post PA2 in the wall - concrete

PA23 Heavy duty anchor for concrete. PA23 anchors, washers and caps for concrete surfaces.

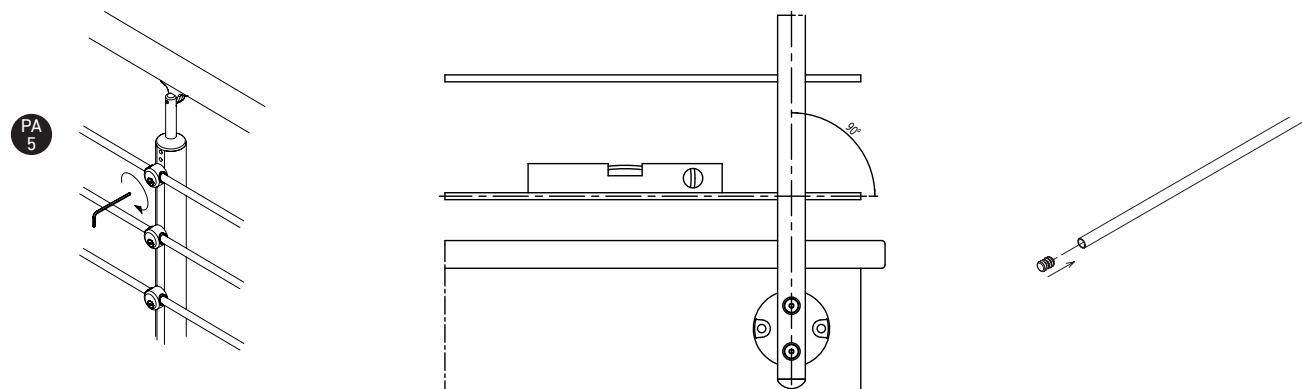
Mark drill holes using post before drilling



Be caution of heatfloor

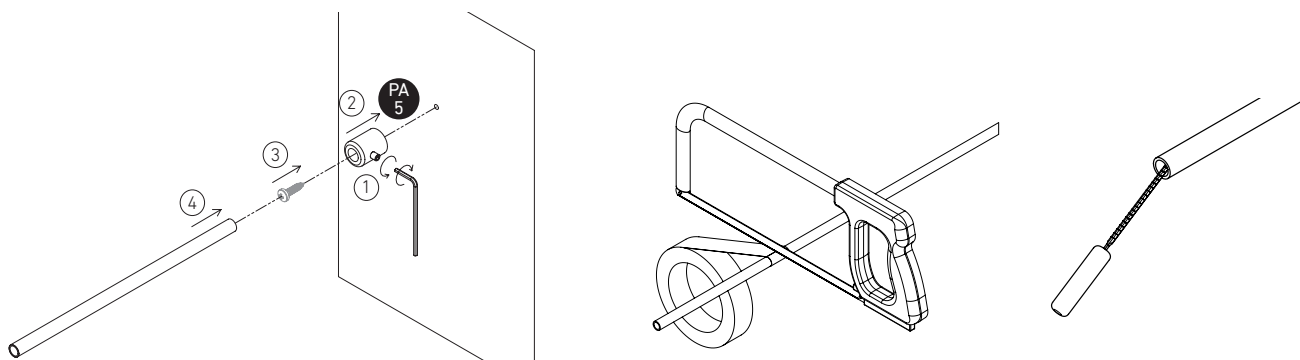
Mount the stainless steel tubes on the post

PA5 Assembly of the stainless steel tubes (2 pack PA5 for Prova 10) . PA5 tubes are connected with plastic fittings supplied with the tubes.



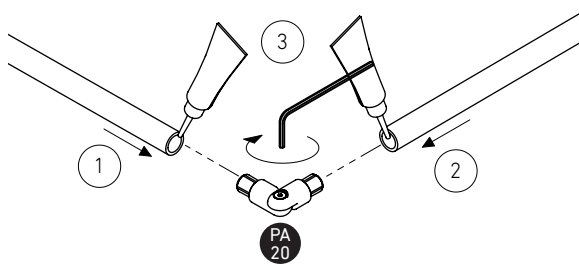
Wall connection bracket for stainless steel tubes

PA11 for ending into wall of tubes.

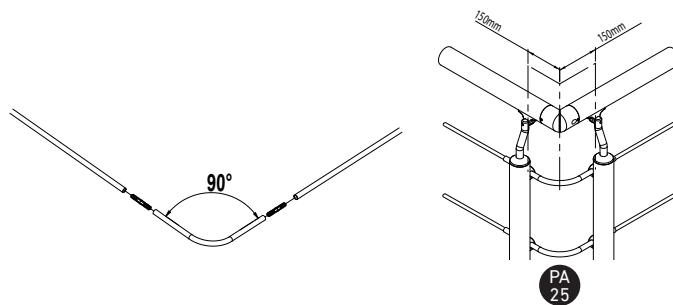


Angle junction bracket for PA5 tube

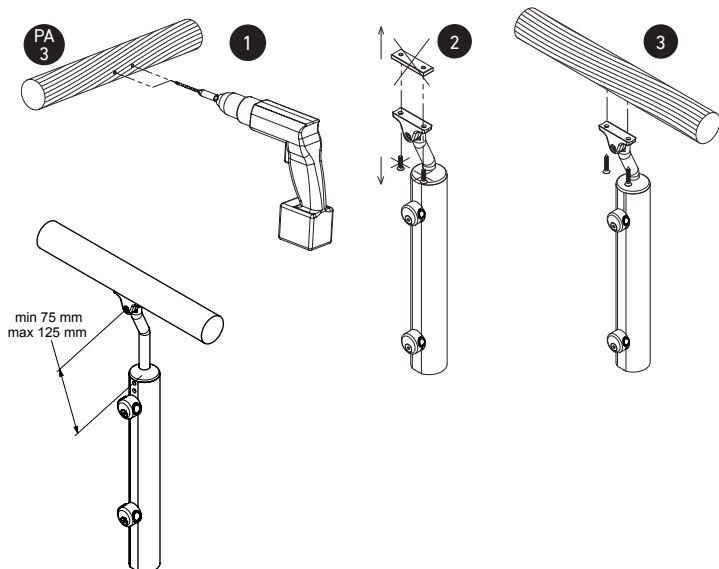
Use PA20 for corners or angles



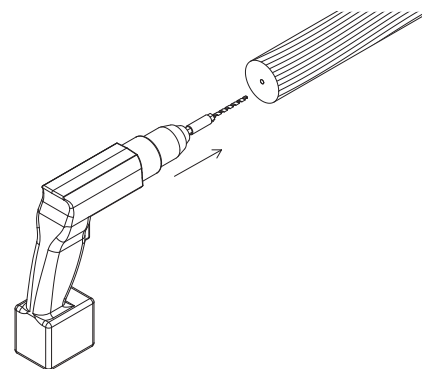
90 degree joint



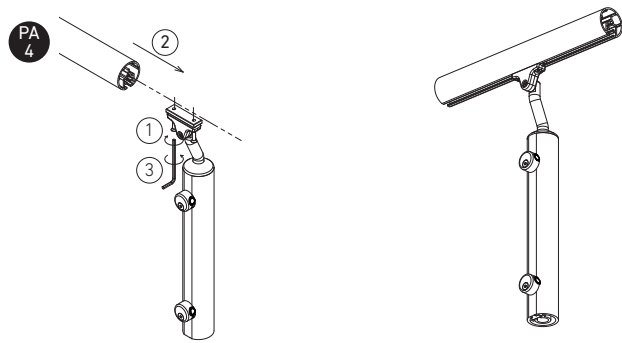
Mount the wooden handrail



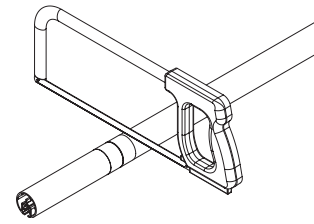
Drilling template for wooden handrail



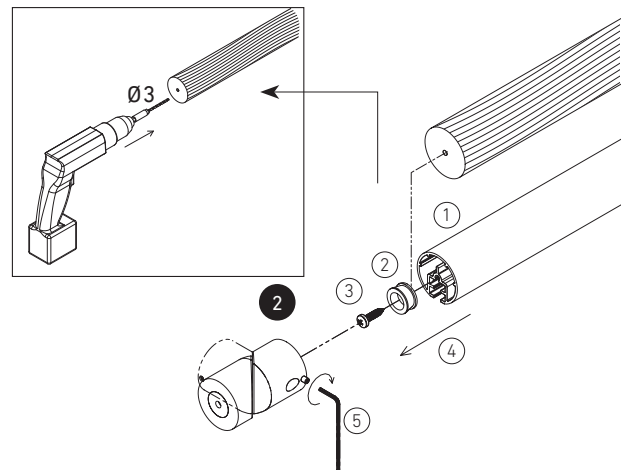
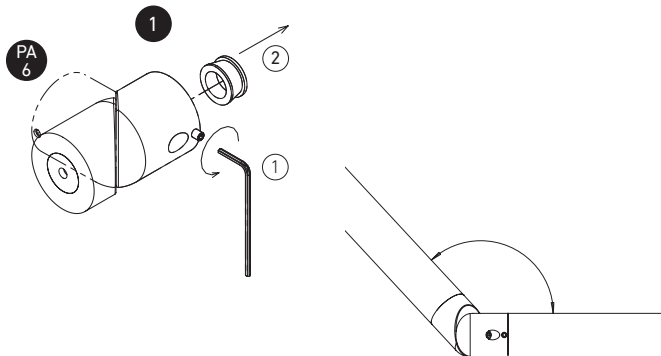
Mount the aluminium handrail



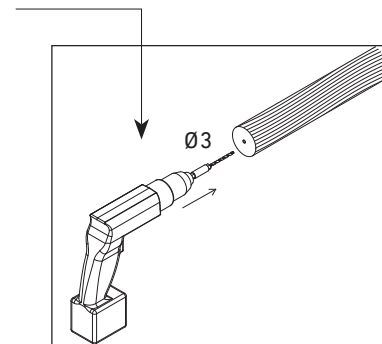
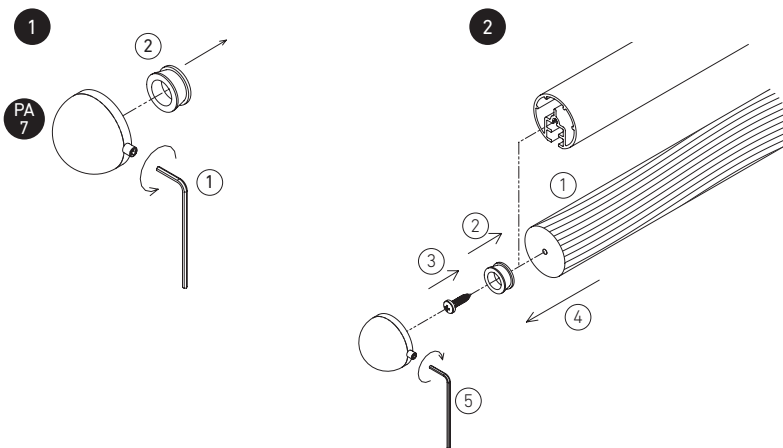
The handrails can be shortened with the help of a hacksaw. A length of tape should be wound around the place that will be sawn to ensure an attractive finish.



Bracket for handrail junction (wood or aluminium)



End cap for handrail (wood or aluminium)



Wall or extension bracket for handrail in wood or aluminium

