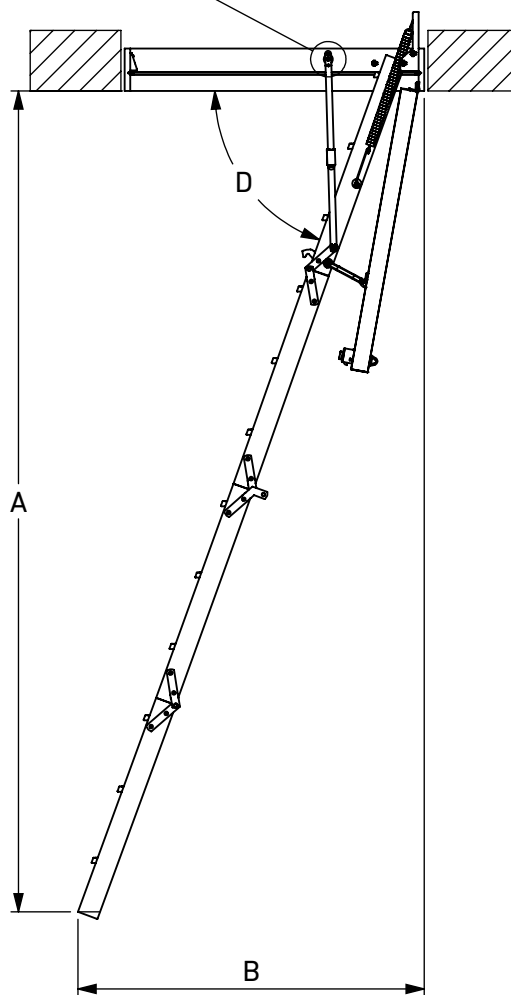
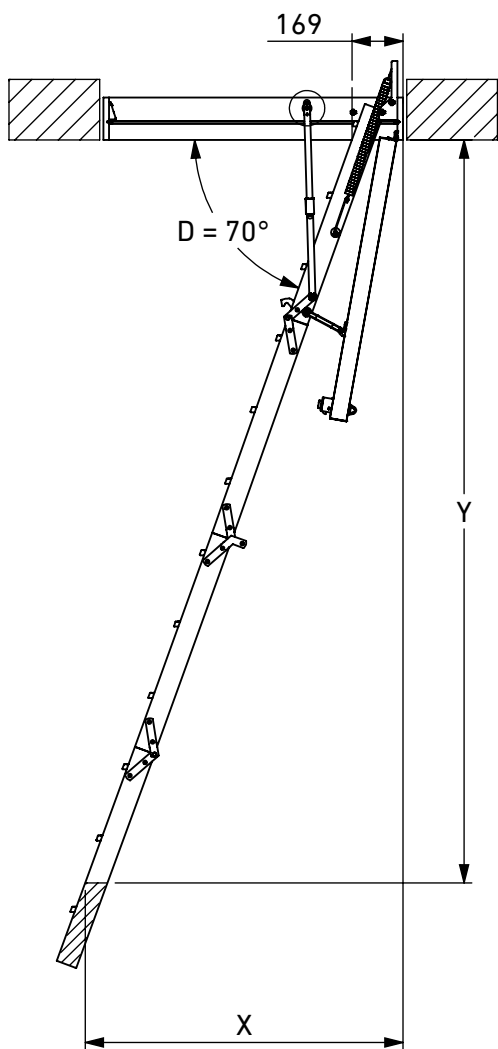
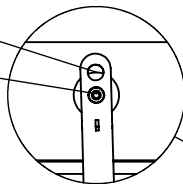


Pos. 2

Pos. 1



$$X = (0,360 \times Y) + 169 \text{ mm}$$

$\triangle & D = 70 \text{ } ^\circ$

		Pos.			B	C	D	F	G	Model	H	K
			mm	mm	mm	mm	°	mm	mm		mm × mm	mm × mm
12	3-3-3-3	1	2713	2740	1145	1164	70	140	427	1039341	1010 × 550	990 × 540
		2	2776	2801	963	1120	74					